



STANDALONE ACCESS CONTROL

REEC S-261B



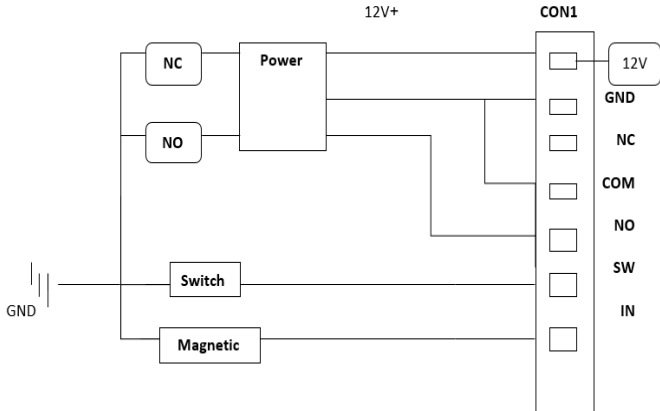
Product specifications

Working Frequency	13.56 MHz (High frequency)
Users capacity	3000 users
Standard interface	Wiegand26 Input
Operating voltage	DC 12V \pm 10%
Operating current	\leq 60 mA
Reading range	0-5 cm
Waterproof protection	IP65 rating (Water and dust resistant)

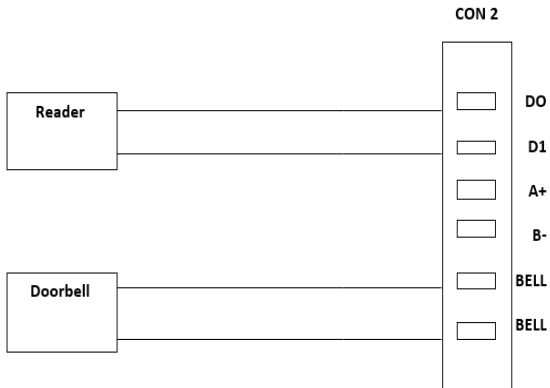
Product specifications

Operating Temperature	Up to 60°C
Opening Current (Lock output)	≤ 1.5 A
Operating Humidity	20% to 80%
Response Time	0.05 – 0.5 seconds
Open time	0 – 99 seconds (Adjustable)
Device dimensions	7.87 cm x 7.87 cm x 1.86 cm
Programming	Easy to program with provided Master Card

Connection Diagram



Connection Diagram



Connection Description

CON1 connector signal

Pin	Label	Color	Description
1	+12V	Red	Anode (+12V)
2	GND	Black	Ground
3	NC	Blue	Normally closed
4	Com	White	Common
5	NO	Yellow	Normally open
6	SW	Brown	Open button input
7	IN	Green	Door sensor signal

Connection Description

CON2 connector signal

Pin	Label	Color	Description
1	D0	Green	Card reader data cable DATA0
2	D1	Blue	Card reader data cable DATA1
3	A+	Yellow	Backup
4	B-	White	Backup
5	Bell	Black	Doorbell
6	Bell	Red	Doorbell

Light Signals Description

Events	Red light (Run)	Green Light (State)
Normal working	Blink	-
Valid card/correct	-	On
Open button	-	On
Wrong password	On	-
Invalid cards	On	-
Press the valid	On	-

Light Signals Description

Events	Red light (Run)	Green Light (State)
Alarm	Blink	-
Programming state	On	On
Input correct Programming command	On	Blink
Management card	Blink	Blink
Adding card	-	Blink
Deleting card	Frequent Blink	Frequent Blink

Buzzer Sounds Description

There are four kinds of buzzing:

- 1) "**Toot**" is mostly used in valid button or open button.
- 2) "**Toot-toot**" is mostly used in successful operation.
- 3) "**Toot-toot-toot**" is mostly used in failing or wrong operation.
- 4) "**Too...oot**" is mostly used in alarm.

Events	Buzzer
Normal working state	Off
Read valid card, open	Toot
Correct password, open	Toot

Buzzer Sounds Description

Events	Buzzer
Wrong password	Toot-toot
Invalid card	Toot-toot-toot
Input correct programming code	Toot
Alarm	Too...oot
Input correct programming	Toot
Input wrong programming command	Toot-toot

Frequently asked questions

Issue	Possible reasons	Solutions
No buzzing after reading card	Sensitivity time is too long	Read again Read with another card
	The card has a problem	
Light doesn't blink	Check the power supply	Change the power supply
Can't open with right password or valid cards	Voltage is too low	Change voltage or power supply Change power supply Set right Open-door mode Change lock
	The power supply cannot supply enough power	
	Open-door mode is set wrong	
	Wrong with lock	